



# Highcliff™ Ultra

Top spud flushometer bowl  
K-96057

## Features

- Elongated bowl offers added room and comfort.
- 1½" (38 mm) top spud.
- 2-1/8" (54 mm) fully glazed trapway.
- 10" x 7" (254 mm x 178 mm) water surface.
- 1.0 gpf (3.8 lpf), 1.1 gpf (4.2 lpf), 1.28 (4.8 lpf), or 1.6 gpf (6.0 lpf) depending on flushometer specified.
- Also available with antimicrobial finish K-96057-SS.
- 10" or 12" (254 or 305 mm) rough-in.
- Supports static load of 2,500 lbs.

## Material

- Vitreous china.

## Technology

- Designed to outperform competitors in bowl cleanliness and plug resistance.
- Maximum waste removal.
- Engineered for toilet seat cover removal.
- Excellent bowl rinse.
- Engineered to flush effectively in buildings with low supply pressure and flow.
- Maximum drain line carry at all flush volumes per ASME standard.

## Installation

- Replaces Highcrest K-4302, Highcliff K-4368 and Highline K-4405. Height and footprint may vary.

## Included Components

Additional Components:  
Bolt cap accessory pack  
Spud



**ADA** **CSA B651** **OBC**

## Codes/Standards





ASME A112.19.2/CSA B45.1  
DOE - Energy Policy Act 1992  
EPA WaterSense®  
California Energy Commission (CEC)  
ADA  
ICC/ANSI A117.1  
CSA B651  
OBC

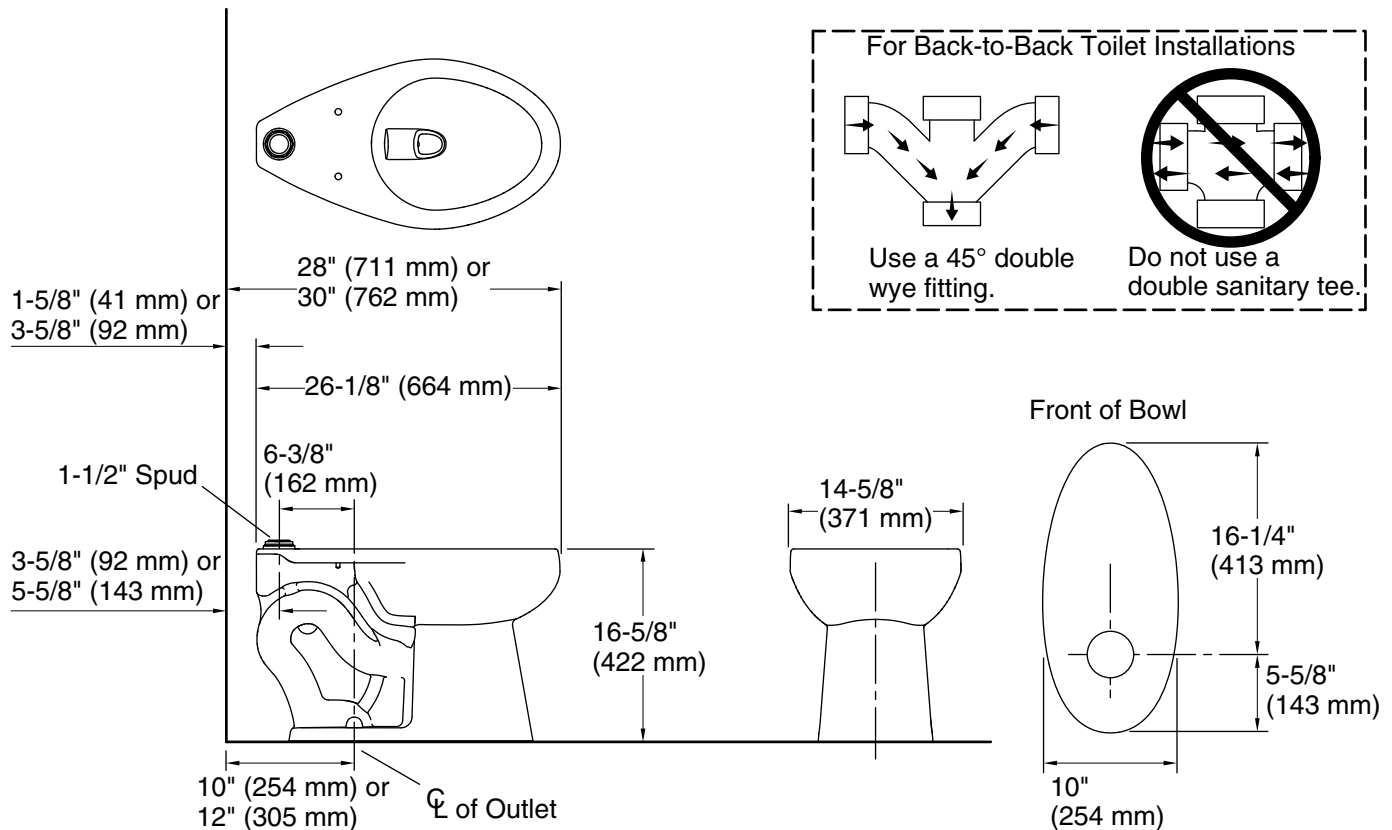
## KOHLER® One-Year Limited Warranty

See website for detailed warranty information.

## Available Colors/Finishes

*Color tiles intended for reference only.*

Color	Code	Description
	0	White
	96	Biscuit
	47	Almond
	7	Black Black™



### Technical Information

All product dimensions are nominal.

Toilet type:	Flushometer, Floor-mount
Waste Outlet:	Floor
Bowl shape:	Elongated
Flush type:	Flushometer valve siphon
Spud size:	1 1/2, Inlet, Top
Trap passageway:	2-1/8" (54 mm)
Water Consumption	
Full:	1.6 gpf (6 lpf)
Reduced:	1 gpf (3.8 lpf)
Water surface size:	10" x 7" (254 mm x 178 mm)
Rim to water surface:	6" (152 mm)
Rough-in:	10" (254 mm)
Seat-mounting holes:	5-1/2" (140 mm)

### Fixture Supply Requirements

Min static pressure:	35 psi (241.3 kPa)
Max static pressure:	80 psi (551.6 kPa)
Min flowing	25 psi (172.4 kPa)

### Notes

Install this product according to the installation instructions.

For back-to-back toilet installations: Use only a 45° double wye fitting.

ADA, OBC, CSA B651 compliant when installed to the specific requirements of these regulations.

Plumbing codes may require elongated toilets and elongated, open-front seats in public bathrooms.

Accessibility standards may require controls to be located on the open side of the toilet.